

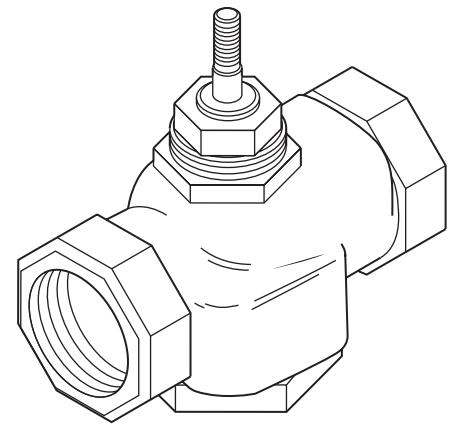
1/2" to 2" Screwed NPT Three-Way Diverting Valves General Instructions

Application

VB-7323 series three-way diverting valves control hot or chilled water in heating or air conditioning systems. These valves must be piped with one inlet and two outlets. They are used for two-position or proportional control applications. Valve assemblies require an actuator and a valve linkage that must be purchased separately.



Danger: Do not use for combustible gas applications. The VB-7323 series valve packings are not rated for combustible gas applications, and if used in these applications, gas leaks and explosions could result.



Features

- Valve sizes 1/2" to 2".
- 250 psig pressure rating per ANSI Standards (B16.15–1985) for screwed cast bronze bodies.
- Spring-loaded TFE packing.
- American Standard Taper Pipe Thread (NPT) connections.

Applicable Literature

- TAC Valve Products Catalog, F-27384
- TAC Cross-Reference Guide, F-23638
- TAC Reference Manual, F-21683
- TAC Application Manual, F-21335
- Control Valve Sizing, F-13755
- Valve Selection Chart for Water, F-11080
- EN-205 Water System Guidelines, F-26080

SPECIFICATIONS

Table-1 Specifications/Models.

Specifications			Valve Body Series VB-7323-0-4-P
Service			Chilled or Hot Water
Flow Characteristics			Diverting
Sizes			1/2" to 2"
Type of End Fitting			NPT
Valve Materials	Body		Bronze
	Seat		Bronze
	Stem		Stainless Steel
	Plug		Stainless Steel
	Packing		Spring-loaded TFE
	Disc		None
ANSI Pressure Class (Figure-1)			250 (up to 400 psig below 150°F) ^a
Allowable Control Media Temperature			20 to 281°F (-7 to 138°C)
Allowable Differential Pressure for Water^b			35 psi (241 kPa) Max. for Normal Life (refer to "Cavitation Limitations on Valve Pressure Drop" on page 6)
Valve Size	C_v Rating	k_{vs} Rating^c	Complete Valve Body Part Number
1/2"	4.4	3.8	VB-7323-0-4-4
3/4"	7.5	6.5	VB-7323-0-4-6
1"	15	13	VB-7323-0-4-8
1-1/4"	20	17	VB-7323-0-4-9
1-1/2"	28	24	VB-7323-0-4-10
2"	40	35	VB-7323-0-4-11

^a Do not apply above pressure rating to piping system.

^b Maximum recommended differential pressure in open position. Do not exceed recommended differential pressure (pressure drop) or integrity of parts may be affected. Exceeding maximum recommended differential pressure voids product warranty.

^c $k_{vs} = m^3/h$ ($\Delta P = 100$ kPa) $C_v = k_{vs} \times 1.156$

Close-off Pressure Rating

The close-off pressure rating is dependent on the size of the valve, valve linkage, and actuator. Consult the **TAC Valve Products Catalog, F-27384**, for close-off ratings.

Normal Position of Valve Assembly

For a valve assembly (valve, linkage, and actuator) to have a normal (spring return) position, the actuator must be of the spring return type. See Table-2 for the normal position of valve assemblies.

Table-2 Required Compatible Actuators/Linkages.

Actuator Series	Required Valve Linkage	Normal Position ^a
MA-318, MA-418, MA-419	AV-391	Stem Up or Down
MA-5210, MA-5211, MA-5213	AV-7600 ^b	Stem Up
MC-351, MC-431, MC-4311, MC5-4311	AV-393	None
MF-5413, MF-5513	AV-7600 & AV-601	Stem Up
MF-22203, MF-22303, MF-22323	Included w/Actuator	None
MF-63103, MF-63123		
MK-2690	AV-400	Stem Up
MK-4601, MK-4611, MK-4621	AV-401	
MK-6601, MK-6611, MK-6621	AV-430	
MM-400, MMR-400	AV-630	None
MM-500, MMR-500		Stem Up or Down
MP-361, MP-461-600, MP-465, MP5-4651	AV-391	Stem Down
MP-371, MP-471-600, MP-475, MP5-4751		Stem Up
MP-381, MP-382, MP-481-600, MP-485, MP-486, MP-4851, MP5-4851	AV-393	None
MP-5210, MP-5211, MP-5213	AV-7600 ^b	Stem Up
MP-5410, MP-5411, MP-5413	AV-7600 & AV-601	
MP-5511, MP-5513		
MPR-5610, MPR-5611, MPR-5613		
MPR-5713		
MS-22353	Included w/Actuator	None

^a Stem Up = Flow port "B" to port "AB". Stem Down = Flow port "B" to port "A".

^b High ambient temperatures with high media temperatures in the valve may require the use of AV-601 in addition to AV-7600. See General Instructions for AV-7600 (F-26235) and AV-601 (F-19069) for details.

Flow Characteristics

Three-way diverting valves are designed so that the flow from the inlet port to either of the outlet ports is approximately linear, which means the total flow to the inlet is almost constant over the stroke of the valve stem.

Rangeability

Rangeability is the ratio of rated flow to the minimum controllable flow through a valve. For diverting valves, control begins as soon as plug displacement allows flow. Thus, three-way valve rangeability normally exceeds 500:1, which is the reciprocal of 0.2% nominal leakage.

Temperature/Pressure Ratings

See Figure-1 for temperature and pressure ratings. Consult the appropriate valve linkage general instruction sheet for the effect of valve body ambient temperatures on specific actuators. Ratings conform with published values and disclaimer.

VB-7323-0-4-P (Screwed Cast Bronze Body)

Standards: Pressure to ANSI B16.15 Class 250 with 400 psig up to 150°F decreasing to 321 psig at 281°F

Materials: Bronze, ASTM B584

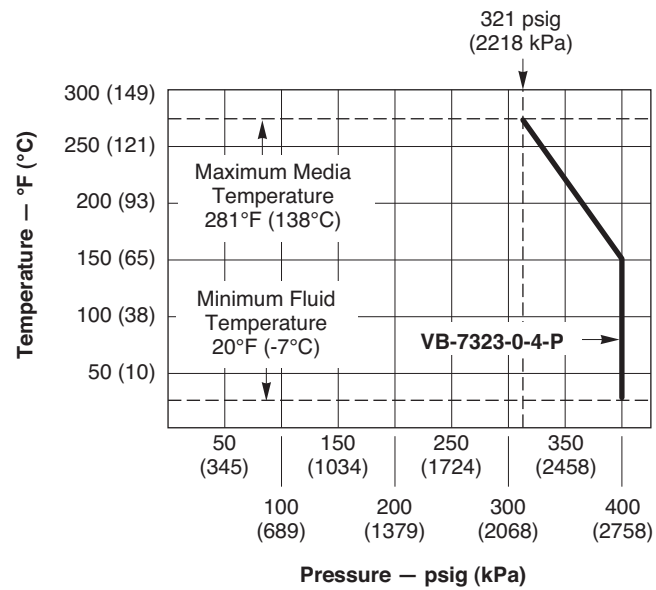


Figure-1 Temperature and Pressure Ratings for VB-7323 Series Valve Bodies.

VALVE SIZING AND SELECTION

Water

Two-position

Two-position control valves are normally selected “line size” to keep pressure drop at a minimum. If it is desirable to reduce the valve below line size, then 10% of “available pressure” (that is, the pump pressure differential available between supply and return mains with design flow at the valve location) is normally used to select the valve.

Proportional to Bypass Flow

Proportional valves used to bypass flow are piped on the inlet side of the load to throttle the water flow through the load and therefore control heat output of the load. These valves are usually selected to take a pressure drop equal to at least 50% of the “available pressure.” As “available pressure” is often difficult to calculate, the normal procedure is to select the valve using a pressure drop at least equal to the drop in the coil or other load being controlled (except where small booster pumps are used) with a minimum recommended pressure drop of 5 psi (34 kPa). When the design temperature drop is less than 60°F (33°C) for conventional heating systems, higher pressure drops across the valve are needed for good results (Table-3).

Table-3 Conventional Heating System.

Design Temperature Load Drop °F (°C)	Recommended Pressure Drop ^a (% of Available Pressure)	Multiplier on Load Drop
60 (33) or More	50%	1 x Load Drop
40 (22)	66%	2 x Load Drop
20 (11)	75%	3 x Load Drop

^a Recommended minimum pressure drop = 5 psi (34 kPa).

Secondary Circuits with Small Booster Pumps: 50% of available pressure difference (equal to the drop through load, or 50% of booster pump head).

Proportional to Blend Water Flows

Proportional valves used to blend two water flows control the heat output by varying the water temperature to the load at constant flow. These valves do not require high pressure drops for good control results. They can be sized for a pressure drop of 20% of the “available pressure” or equal to 25% of the pressure drop through the load at full flow.

Water Capacity

See Table-4 for water capacity of VB-7323 series valves.

Table-4 Water Capacity in Gallons Per Minute for VB-7323 Series.

Valve Body Part Number	C _v Rating	Differential Pressure (ΔP in psi)												
		1	2	3	4	5	6	7	8	9	10	15	20	35
VB-7323-0-4-4	4.4	4.4	6.2	7.6	8.8	9.9	11	12	12	13	14	17	20	26
VB-7323-0-4-6	7.5	7.5	11	13	15	17	18	20	21	23	24	29	34	44
VB-7323-0-4-8	15	15	21	26	30	34	37	40	42	45	47	58	67	89
VB-7323-0-4-9	20	20	28	35	40	45	49	53	57	60	63	77	89	118
VB-7323-0-4-10	28	28	39	48	56	63	69	74	79	84	88	108	125	166
VB-7323-0-4-11	40	40	57	69	80	89	98	106	113	120	126	155	179	237

C_v Equation

$$C_v = \frac{\text{GPM}}{\sqrt{\Delta P}} \quad \Delta P = \left(\frac{\text{GPM}}{C_v} \right)^2 \quad \text{GPM} = C_v \sqrt{\Delta P}$$

Where:

C_v = Coefficient of flow

GPM = U.S. gallons per minute (60°F, 15.6°C)

ΔP = Differential pressure in psi (pressure drop)

Cavitation Limitations on Valve Pressure Drop

A valve selected with too high a pressure drop can cause erosion of discs and/or wire drawing of the seat. In addition, cavitation can cause noise, damage to the valve trim (and possibly the body), and choke the flow through the valve.

Do not exceed the maximum differential pressure (pressure drop) for the valve selected.

The following formula can be used on higher temperature water systems, where cavitation could be a problem, to estimate the maximum allowable pressure drop across the valve:

$$P_m = 0.5 (P_1 - P_v)$$

Where:

P_m = Maximum allowable pressure drop (psi)

P_1 = Absolute inlet pressure (psia)

P_v = Absolute vapor pressure (psia) (refer to Table-5)

Note: Add 14.7 psi to gauge supply pressure to obtain absolute pressure value.

For example, if a valve is controlling 200°F water at an inlet pressure of 18 psig, the maximum pressure drop allowable would be:

$$P_m = 0.5 [(18 + 14.7) - 11.53] = 10.6 \text{ psi}$$

(Vapor pressure of 200°F water is 11.53 psia.)

If the pressure drop for this valve is less than 10.6 psi, cavitation should not be a problem.

Systems where cavitation is shown to be a problem can sometimes be redesigned to provide lower inlet velocities. Valves having harder seat materials should be furnished if inlet velocities cannot be lowered.

Table-5 Vapor Pressure of Water Table.

Water Temp. (°F)	Vapor Pressure (psia)	Water Temp. (°F)	Vapor Pressure (psia)	Water Temp. (°F)	Vapor Pressure (psia)	Water Temp. (°F)	Vapor Pressure (psia)
40	0.12	90	0.70	140	2.89	190	9.34
50	0.18	100	0.95	150	3.72	200	11.53
60	0.26	110	1.28	160	4.74	210	14.12
70	0.36	120	1.69	170	5.99	220	17.19
80	0.51	130	2.22	180	7.51	230	20.78

Additional Valve Sizing Information

For additional valve sizing information, see:

- CA-28 Control Valve Sizing, F-13755
- Valve Selection Chart Water, F-11080
- Valve Sizing Slide Rule, TOOL-150

INSTALLATION

Inspection

Inspect the package for damage. If damaged, notify the appropriate carrier immediately. If undamaged, open the package and inspect the device for obvious damage. Return damaged products.

Requirements

- Tools (not provided): Pipe wrenches
- Training: Installer must be a qualified, experienced technician
- Appropriate accessories

Caution:

- Install the screwed end valves with the “B” port as the inlet and ports “A” and “AB” as the outlets.
 - Do not exceed the ratings of the device.
 - Avoid locations where excessive moisture, corrosive fumes, or vibration are present.
-

Mounting

1. The valve should be mounted in a weather-protected area in a location that is within the ambient limits of the actuator. When selecting a location, allow sufficient room for valve linkage, actuator, and other accessories and for service of the product.
2. The preferred mounting position for the valve is with the valve stem vertical above the valve body. Avoid mounting the valve so that the valve stem is below horizontal.

Screwed Valve Bodies

The VB-7323-0-4-P series screwed valve bodies conform to American Standard Taper Pipe Threads (NPT). The valves must be piped with one inlet (“B” port) and two outlets (“A” and “AB” ports).

1. Apply pipe dope sparingly to all but the last two threads of a properly threaded, reamed, and cleaned pipe. Make sure that pipe chips, scale, etc. do not get into the pipe since this material may lodge in the valve seat and prevent proper closing and opening of the valve.
2. Start the joint by hand screwing the pipe into the valve. If the thread engagement feels “right,” turn the pipe by hand as far as it will go.
3. Use a pipe wrench to fully tighten the valve to the pipe. Do not over tighten or strip threads. See Table-6 and Figure-2 for the normal engagement length of the threads. Figure-3 shows a means of tightening the pipe so that the valve is not twisted or crushed.

Table-6 Normal Thread Engagement Between Male Pipe Thread and Valve Body.

Valve Size Inches (NPT)	Normal Engagement	Valve Size Inches (NPT)	Normal Engagement
1/2"	1/2"	1-1/4"	11/16"
3/4"	9/16"	1-1/2"	11/16"
1"	11/16"	2"	3/4"

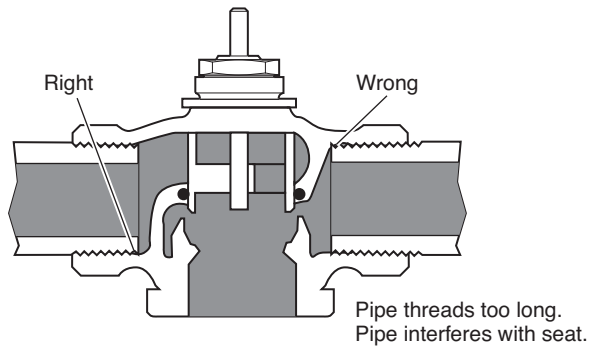


Figure-2 Normal Thread Engagement.

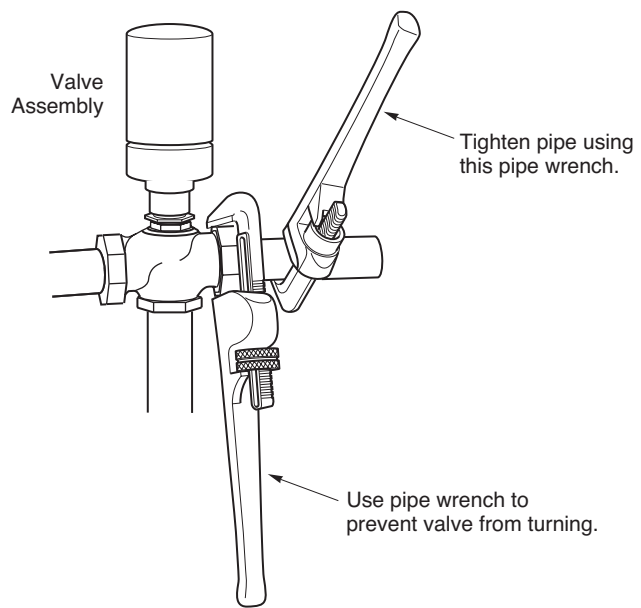


Figure-3 Installation of Screwed End Valves.

TYPICAL PIPING

All piping must comply with local codes and ordinances. Refer to Figure-4 for typical piping.

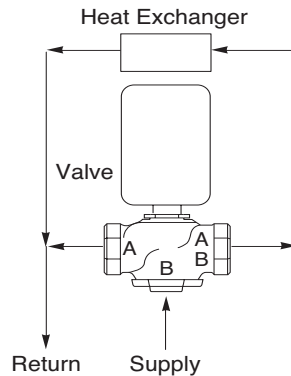


Figure-4 Typical Primary-Secondary Piping.

CHECKOUT

1. Make sure the valve stem operates smoothly before installing the valve linkage and the actuator.
2. If the stem does not operate smoothly, it may indicate that the valve was twisted or crushed during installation or that the stem was bent by rough handling. These conditions may require that the valve be replaced.
3. After the piping is under pressure, check the valve body and the connections for leaks.
4. After the valve linkage and the actuator are installed, check their operation.
 - a. Drive the actuator and run the valve to the stem down position. Make sure the linkage and valve stem move freely. At the stem down position, the valve should shut off the "B" port.
 - b. Drive the actuator and valve to the stem up position. Again, the valve stem and linkage should operate smoothly. At the stem up position, the valve should shut off the "A" port.

MAINTENANCE

Regular maintenance of the total system is recommended to assure sustained performance. See Table-7 for maintenance kit part numbers.

Table-7 Maintenance Kits for VB-7323 Valves.

Valve Body Part Number	Replacement Packing Assembly	Packing Wrench	Valve Repair Kit ^a
VB-7323-0-4-4	YBA-622-1	TOOL-20-1	RYB-732-4
VB-7323-0-4-6			RYB-732-6
VB-7323-0-4-8			RYB-732-8
VB-7323-0-4-9			RYB-732-9
VB-7323-0-4-10			RYB-732-10
VB-7323-0-4-11			RYB-732-11

^a Kit includes replacement packing and stem & plug assembly.

Water System Maintenance

All heating and cooling systems are susceptible to valve and system problems caused by improper water treatment and system storage procedures. These guidelines are provided to help avoid valve and water system problems resulting from improperly treated water or storage procedures in cooling and hot water systems, and to obtain maximum life from TAC valves.

Durability of valve stems and packings is dependent on maintaining non-damaging water conditions. Inadequate water treatment or filtration, not in accordance with chemical supplier/ASHRAE handbook recommendations, can result in corrosion, scale, and abrasive particle formation. Scale and particulates can result in stem and packing scratches and can adversely affect packing life and other parts of the hydronic system.

To maintain non-damaging conditions, follow these guidelines:

- Clean the system prior to start up. Use a nitrite or molybdate-based treatment program.
- Use filtration equipment where needed.
- Properly store off-line systems and monitor water treatment results using corrosion test coupons.
- Follow the advice of a water treatment professional.
- Consult **EN-205, Water System Guidelines Engineering Information, F-26080**, for further details.

DIMENSIONAL DATA

Table-8 Dimensions for VB-7323 Series Valves (Figure-5).

Part Number	Valve Size	Dimensions in Inches (mm)				
		A	B	C	D (Stem Down)	E (Stroke)
VB-7323-0-4-4	1/2"	3-1/16 (78)	1-3/8 (35)	1-11/16 (43)	3/4 (19)	7/16 (11)
VB-7323-0-4-6	3/4"	3-5/8 (92)	1-11/16 (43)			
VB-7323-0-4-8	1"	4-5/8 (118)	1-9/16 (40)	1-3/4 (45)		
VB-7323-0-4-9	1-1/4"		1-5/8 (41)	2 (51)		
VB-7323-0-4-10	1-1/2"	5-3/8 (137)	1-9/16 (40)	1-1/8 (29)		
VB-7323-0-4-11	2"	6-1/8 (156)	1-7/8 (48)	1-3/16 (30)		

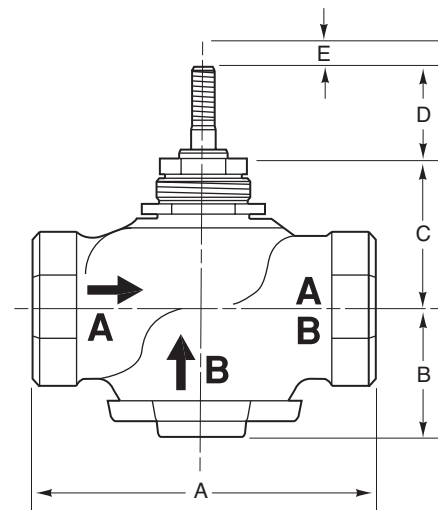


Figure-5 Typical of VB-7323-0-4-P Valve Bodies.

Copyright 2008, TAC
All brand names, trademarks and registered
trademarks are the property of their respective
owners. Information contained within this
document is subject to change without notice.

F-26076-2

TAC
1354 Clifford Avenue
P.O. Box 2940
Loves Park, IL 61132-2940
www.tac.com

t.a.c. [®]
by Schneider Electric